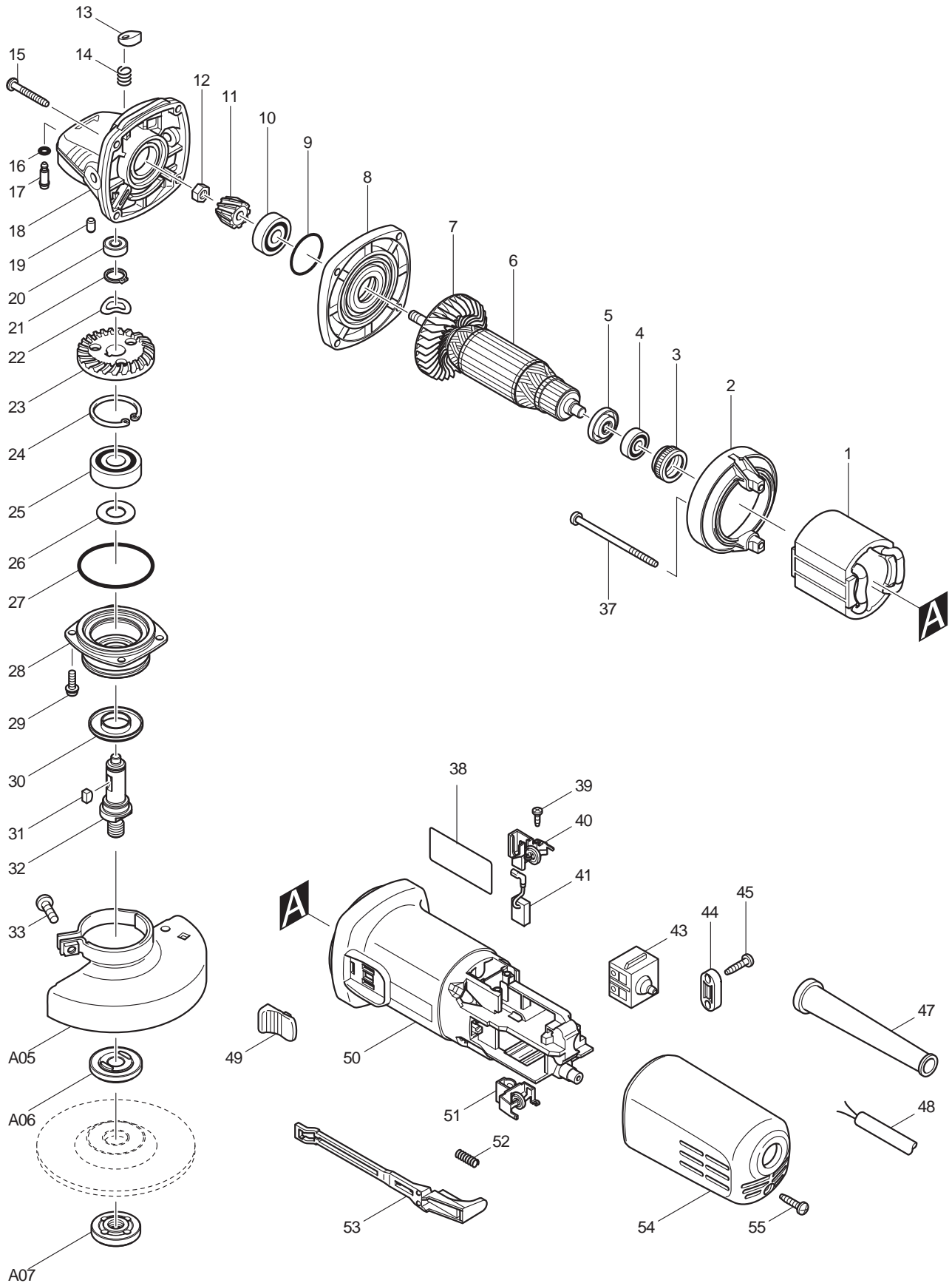




02 - 2009

9557NB

4-1/2" DISC GRINDER AS/DC



Item No	Type Ref	Part No	Description	Qty	Unit
1		621706-3	FIELD 115V	1	PC.
2		418770-1	BAFFLE PLATE	1	PC.
3		421868-5	LABYRINTH RUBBER RING 19	1	PC.
4		210034-7	BALL BEARING 607LLB	1	PC.
5	1	681667-9	RESIN WASHER - N/L/A	1	PC.
	2	681636-0	INSULATION WASHER	1	PC.
6		515611-3	ARMATURE ASS'Y 115V	1	PC.
	INC.		Item No. 4,5,7		
7		240076-7	FAN 56	1	PC.
8		317821-6	GEAR HOUSING COVER	1	PC.
9		213445-5	O-RING 26	1	PC.
10	1	210071-1	BALL BEARING 629LLB - N/L/A	1	PC.
	2	210053-3	BALL BEARING 629LLB - N/L/A	1	PC.
	3	210042-8	BALL BEARING 629LLB	1	PC.
11		227464-5	* SPIRAL BEVEL GEAR 10 (Sintering)	1	PC.
	Opt.	227541-3	* SPIRAL BEVEL GEAR 10 (Machined) - Optional, Use with 227542-1	1	PC.
12		252186-8	HEX. NUT M6	1	PC.
13		417771-6	PIN CAP	1	PC.
14		233376-2	COMPRESSION SPRING 8	1	PC.
15		266361-0	TAPPING SCREW 4X30	4	PC.
16		213960-9	O RING 5	1	PC.
17		256486-8	SHOULDER PIN 4	1	PC.
18		317814-3	GEAR HOUSING	1	PC.
19		263002-9	RUBBER PIN 4	1	PC.
20		210033-9	BALL BEARING 696ZZ	1	PC.
21		961052-5	RETAINING RING S-12	1	PC.
22		267794-2	WAVE WASHER 12	1	PC.
23	1	227465-3	* SPIRAL BEVEL GEAR 37 - N/L/A	1	PC.
	2	227505-7	* SPIRAL BEVEL GEAR 37 (Sintering)	1	PC.
	Opt.	227542-1	* SPIRAL BEVEL GEAR 37 (Machined) - Optional, Use with 227541-3	1	PC.
24		962151-6	RETAINING RING R-32	1	PC.
25		211129-9	BALL BEARING 6201DDW	1	PC.
26		267238-2	FLAT WASHER 12	1	PC.
27		213622-9	O RING 45	1	PC.
28		317819-3	BEARING BOX	1	PC.
29		265099-4	PAN HEAD SCREW M4X14	4	PC.
30		345464-4	LABYRINTH RING	1	PC.
31		254011-9	WOODRUFF KEY 4	1	PC.
32		324474-4	SPINDLE	1	PC.
37		266345-8	TAPPING SCREW 4X80	2	PC.
38		861255-0	NAME PLATE FOR 9557NB	1	PC.
39		266007-8	TAPPING SCREW BIND PT 3X10	4	PC.
40		643760-7	BRUSH HOLDER	1	PC.
41	1	194074-2	CARBON BRUSH CB-325 2PC/SET (W/O ORIGIN) - N/L/A	1	SET
	2	195001-2	CARBON BRUSH CB-325 2PC/SET (W/ ORIGIN)	1	SET
42		418729-8	SPACER	1	PC.
43	1	650561-6	SWITCH APB-2114 (BLACK)	1	PC.
	2	650579-7	SWITCH 1246.3223 (BLOWN)	1	PC.
44	1	687052-4	STRAIN RELIEF	1	PC.
44		687123-7	STRAIN RELIEF (OLD# 687052-4)	1	PC.
45		266326-2	TAPPING SCREW 4X18	2	PC.
47		682559-5	CORD GUARD 8	1	PC.

Item No	Type Ref	Part No	Description	Qty	Unit
48		664895-1	CORD W/PLUG 2P-18-4.0M, SJ	1	PC.
49	1	418769-6	* SWITCH KNOB - N/L/A	1	PC.
	2	419566-3	* SWITCH KNOB	1	PC.
50		418725-6	MOTOR HOUSING	1	PC.
51		643760-7	BRUSH HOLDER	1	PC.
52		233121-5	COMPRESSION SPRING 4	1	PC.
53		418727-2	SWITCH LEVER	1	PC.
54		418726-4	REAR COVER	1	PC.
55		266326-2	TAPPING SCREW 4X18	1	PC.



**ACCESSORIES**

- See Catalogue or visit [www.makita.ca](http://www.makita.ca) for other optional accessories -



A01		153489-2	GRIP 36 COMPLETE	1	PC.
A02	1	782422-3	LOCK NUT WRENCH 28 - N/L/A	1	PC.
	2	782424-9	LOCK NUT WRENCH 28	1	PC.
A03	1	741423-B	4 1/2" DEPRESSED CENTER WHEEL A24P	1	PC.
	2	D-20781	4 1/2" DEPRESSED CENTER WHEEL A24R	1	PC.
	Opt.	A-80640	4 1/2" DEPRESSED CENTER WHEEL WA36N	1	PC.
A04		824736-5	PLASTIC CARRYING CASE	1	PC.
	INC.	182935-8	SLIDE LATCH (R.L) SET	1	PC.
A05		125273-5	WHEEL COVER ASS'Y FOR 4-1/2" D.C.W	1	PC.
	INC.		Item No. 33		
	Opt.	122642-1	WHEEL COVER ASS'Y FOR 4-1/2" C.O.W	1	PC.
A06		224399-1	INNER FLANGE 45	1	PC.
A07		224568-4	LOCK NUT 5/8-45	1	PC.
A08		743036-3	RUBBER PAD 76	1	PC.
A09		193048-0	SANDING LOCK NUT 5/8 - 48 PACKAGED	1	PC.

**SERVICE CHANGES**

**1. Changes on Switch Knob**

Item No.	Description	Type 1	Type 2
49	Switch Knob	418769-6	419566-3
			

**2. Changes on Spiral Bavel Gear**

Item No.	Description	Type 1 (Sintering)	Type 2 (Sintering)	Optional (Machined)
23	Spiral Bevel Gear 37	227465-3	227505-7	227542-1
		all surfaces are flat 	each surface slops slightly 	
11	Spiral Bevel Gear 11	227464-5		227541-3

Above parts are completely interchangeable as a set.